

# BASE PLATE MOUNTS

## PLATES WITH HOLES

Rex Industrial has a range of Mounting Plates to suit most castors. These are ideal for welding to your base frame. These mounting plates correctly support the castor base plate, remove the need to weld in order to mount castors and save time for repair and maintenance.



**Note Finish Codes**  
**B : Black**  
**B/G : Black Galvanised**

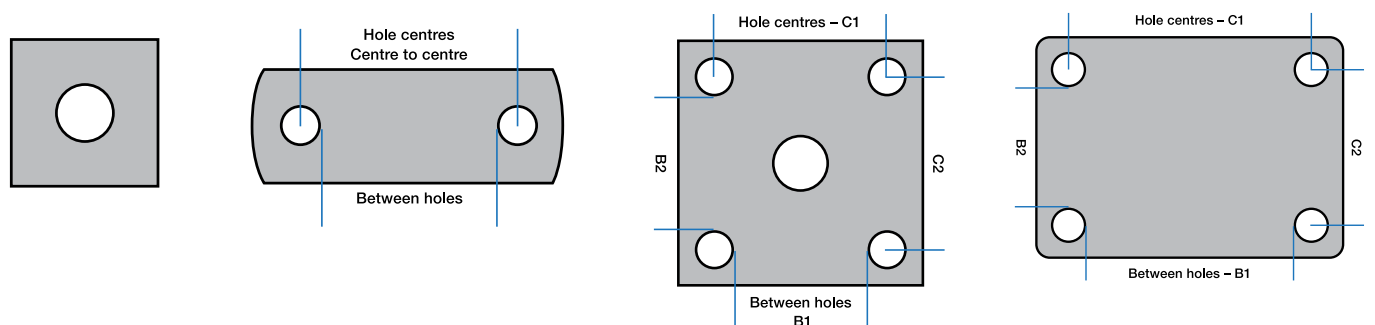
| REX CASTOR MOUNTING PLATES |            |              |        |                                    |        |
|----------------------------|------------|--------------|--------|------------------------------------|--------|
| Code                       | Blank Size | Hole Centers | Hole Ø | Application                        | Finish |
| CBP75MP                    | 110 x 83   | 80 x 58      | 9.5    | CPP/CPF 75 Swivel & Fixed Castors  | B      |
| CBP100MP                   | 130 x 110  | 105 x 80     | 11     | CBP/CPF 100 Swivel & Fixed Castors | B      |
| RH367MP                    | 100 x 75   | 75 x 45      | 9.5    | RH367 Swivel & Fixed Castors       | B      |
| ELS/RXMP                   | 110 x 83   | 80 x 58      | 9.5    | ELS & RX Swivel & Fixed Castors    | B      |
| MH/EHIMP                   | 130 x 110  | 105 x 80     | 11     | MHD& EHI Swivel & Fixed Castors    | B      |

| 1-HOLE PLATES |                |        |                         |        |
|---------------|----------------|--------|-------------------------|--------|
| Code          | Blank Size     | Hole Ø | Application             | Finish |
| 2105          | 50 x 50 x 10   | 13     | Axle pad                | B      |
| 7418          | 50 x 50 x 10   | 15     | Axle pad                | B      |
| 2971          | 50 x 50 x 10   | 19     | Axle pad                | B      |
| 3088          | 62RR x 50 x 10 | 21     | Swivel plate            | B      |
| 2538          | 45 x 45 x 6 R4 | 14     | Cap for 50 x 50 RHS     | B/G    |
| 3246          | 150RR x 40 x 8 | 17     | Safety chain attachment | B      |
| 2904          | Ø48 x 6        | 13     | Cap for Ø51 tube        | B/G    |
| 3136          | Ø58 x 6        | 22     | Cap for Ø51 tube        | B/G    |

| 2-HOLE PLATES |               |              |               |        |           |                      |        |
|---------------|---------------|--------------|---------------|--------|-----------|----------------------|--------|
| Code          | Blank Size    | Hole Centres | Between-Holes | Hole Ø | End Shape | Application          | Finish |
| 2905          | 105 x 50 x 8  | 76           | 63            | 13     | R40       | JW mount plate       | B/G    |
| 2324.80       | 106 x 40 x 8  | 70           | 54            | 16     | R27       | Equaliser link plate | B/G    |
| 3039          | 90 x 40 x 10  | 65           | 54            | 11     | R40       | Clamp plate          | B      |
| 3040          | 117 x 40 x 10 | 92           | 81            | 11     | R40       | Clamp plate          | B      |
| 3771.051      | 101 x 40 x 10 | 64           | 51            | 13     | R40       | Clamp plate          | B/G    |
| 3771.055      | 105 x 40 x 10 | 68           | 55            | 13     | R40       | Clamp plate          | B/G    |
| 3771.060      | 110 x 40 x 10 | 73           | 60            | 13     | R40       | Clamp plate          | B/G    |
| 3771.068      | 118 x 40 x 10 | 81           | 68            | 13     | R40       | Clamp plate          | B/G    |
| 3771.076      | 126 x 40 x 10 | 89           | 76            | 13     | R40       | Clamp plate          | B/G    |
| 3771.080      | 130 x 40 x 10 | 93           | 80            | 13     | R40       | Clamp plate          | B/G    |
| 3771.085      | 135 x 40 x 10 | 98           | 85            | 13     | R40       | Clamp plate          | B/G    |
| 3771.093      | 143 x 40 x 10 | 106          | 93            | 13     | R40       | Clamp plate          | B/G    |
| 3771.103      | 153 x 40 x 10 | 116          | 103           | 13     | R40       | Clamp plate          | B/G    |

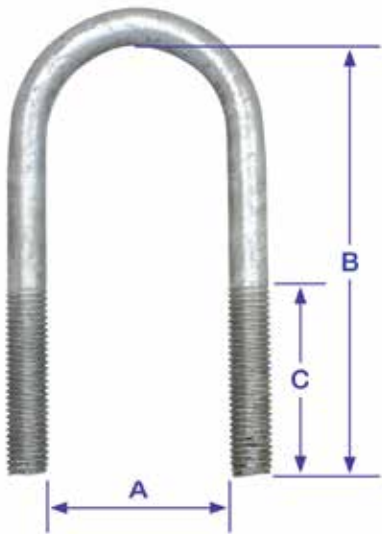
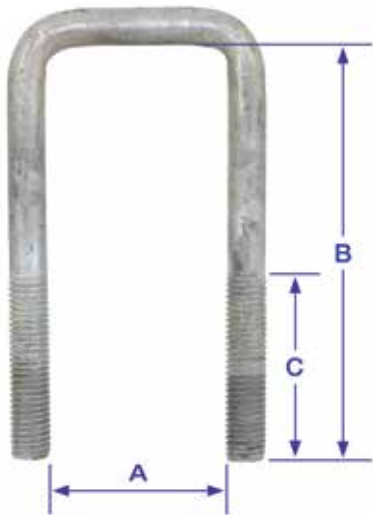
| 4-HOLE PLATES (symmetrical) |                |              |    |               |    |        |           |                  |        |
|-----------------------------|----------------|--------------|----|---------------|----|--------|-----------|------------------|--------|
| Code                        | Blank Size     | Hole Centres |    | Between Holes |    | Hole Ø | End Shape | Application      | Finish |
|                             |                | C1           | C2 | B1            | B2 |        |           |                  |        |
| 3022                        | 145 x 50 x 6   | 130          | 34 | 123           | 27 | 7      |           | Small snub block | B      |
| 3021                        | 160 x 80 x 6   | 136          | 49 | 127           | 40 | 9      | R9.5      | Large snub block | B      |
| 3078                        | 108 x 80 x 6   | 76           | 53 | 65            | 42 | 11     | R9.5      | Clamp plate      | B/G    |
| 3079                        | 119 x 80 x 6   | 87           | 53 | 76            | 42 | 11     | R9.5      | Clamp plate      | B      |
| 3080                        | 132 x 80 x 6   | 100          | 53 | 89            | 42 | 11     | R9.5      | Clamp plate      | B/G    |
| 3081                        | 145 x 80 x 6   | 113          | 53 | 102           | 42 | 11     | R9.5      | Clamp plate      | B/G    |
| 3733                        | 125 x 100 x 10 | 89           | 64 | 76            | 51 | 13     |           | Clamp plate      | B/G    |
| 3734                        | 140 x 100 x 10 | 104          | 64 | 91            | 51 | 13     |           | Clamp plate      | B/G    |
| 3735                        | 150 x 100 x 10 | 114          | 64 | 101           | 51 | 13     |           | Clamp plate      | B/G    |

| 5-HOLE PLATES |                |              |    |               |    |              |               |                        |        |
|---------------|----------------|--------------|----|---------------|----|--------------|---------------|------------------------|--------|
| Code          | Blank Size     | Hole Centres |    | Between Holes |    | Outer Hole Ø | Centre Hole Ø | Application            | Finish |
|               |                | C1           | C2 | B1            | B2 |              |               |                        |        |
| 2258          | 90 x 80 x 6    | 62           | 53 | 51            | 42 | 11           | 16            | 51 springs/Ø43 axle    | B/G    |
| 3671          | 90 x 90 x 6    | 64           | 58 | 51            | 45 | 13           | 16            | 45 springs/51 axle     | B/G    |
| 2088          | 90 x 90 x 6    | 64           | 64 | 51            | 51 | 13           | 19            | 51 springs/51 axle     | B/G    |
| 7164          | 100 x 90 x 8   | 64           | 58 | 51            | 45 | 13           | 16            | 45 springs/51 axle hvv | B/G    |
| 7165          | 100 x 100 x 8  | 64           | 64 | 51            | 51 | 13           | 19            | 51 springs/51 axle hvv | B/G    |
| 7711          | 110 x 110 x 8  | 74           | 64 | 61            | 51 | 13           | 19            | 51 springs/60 axle hvv | B/G    |
| 7103          | 100 x 100 x 10 | 64           | 64 | 51            | 51 | 13           | 16            | 51 springs/51 axle hvv | B/G    |
| 2945.13       | 115 x 100 x 10 | 77           | 64 | 64            | 51 | 13           | 13            | 51 springs/64 axle hvv | B/G    |
| 2945.19       | 115 x 100 x 10 | 77           | 64 | 64            | 51 | 13           | 19            | 51 springs/64 axle hvv | B/G    |



## U-BOLTS

Our large stock range of M10 and M12 U-bolts are made from AISI 1020 grade steel and hot dip galvanized for maximum protection. They're supplied complete with nuts and spring washers.



## SQUARE TOP

| M10 U-Bolts – Square Top |    |     |    |
|--------------------------|----|-----|----|
| Code                     | A  | B   | C  |
| 3763                     | 27 | 70  | 40 |
| 3830                     | 27 | 100 | 40 |
| 3800                     | 43 | 38  | 20 |
| 3853                     | 43 | 45  | 25 |
| 7118                     | 43 | 65  | 30 |
| 3243                     | 43 | 75  | 45 |
| 3701                     | 43 | 85  | 45 |
| 3244                     | 43 | 100 | 45 |
| 3077                     | 43 | 112 | 45 |
| 3245                     | 43 | 125 | 45 |
| 3034                     | 55 | 75  | 40 |
| 3035                     | 55 | 95  | 40 |
| 3904                     | 66 | 60  | 30 |
| 7878                     | 66 | 65  | 25 |
| 3905                     | 66 | 85  | 30 |
| 3906                     | 76 | 70  | 30 |
| 3907                     | 76 | 95  | 30 |
| 3287                     | 80 | 55  | 20 |
| 3908                     | 93 | 70  | 30 |
| 3909                     | 93 | 110 | 30 |

## ROUND TOP

| M10 U-Bolts – Round Top |    |     |    |
|-------------------------|----|-----|----|
| Code                    | A  | B   | C  |
| 2360                    | 43 | 90  | 40 |
| 2082                    | 43 | 110 | 40 |
| 7389                    | 43 | 135 | 40 |

| M12 U-Bolts – Round Top |    |     |    |
|-------------------------|----|-----|----|
| Code                    | A  | B   | C  |
| 3030                    | 51 | 85  | 40 |
| 3003                    | 51 | 105 | 40 |
| 2433                    | 51 | 120 | 40 |
| 2434                    | 51 | 132 | 40 |
| 7891                    | 51 | 145 | 50 |
| 7708                    | 51 | 180 | 50 |
| 7084                    | 60 | 85  | 30 |
| 3214                    | 60 | 140 | 50 |
| 3215                    | 60 | 175 | 50 |

| M12 U-Bolts – Square Top |     |     |    |
|--------------------------|-----|-----|----|
| Code                     | A   | B   | C  |
| 7604                     | 43  | 65  | 30 |
| 7484                     | 43  | 100 | 30 |
| 3049                     | 51  | 50  | 25 |
| 3212                     | 51  | 75  | 30 |
| 2927                     | 51  | 85  | 30 |
| 2924                     | 51  | 100 | 45 |
| 2080                     | 51  | 110 | 50 |
| 2077                     | 51  | 120 | 50 |
| 2078                     | 51  | 132 | 40 |
| 3145                     | 51  | 150 | 50 |
| 3168                     | 51  | 168 | 50 |
| 3428                     | 51  | 180 | 50 |
| 3651                     | 51  | 225 | 50 |
| 7007                     | 55  | 135 | 40 |
| 7881                     | 55  | 160 | 40 |
| 3995                     | 68  | 58  | 30 |
| 3858                     | 68  | 70  | 40 |
| 3036                     | 68  | 90  | 40 |
| 3950                     | 68  | 100 | 40 |
| 7014                     | 68  | 110 | 40 |
| 7235                     | 68  | 135 | 50 |
| 3213                     | 68  | 145 | 50 |
| 7374                     | 68  | 170 | 50 |
| 7707                     | 76  | 55  | 30 |
| 7531                     | 76  | 75  | 30 |
| 7008                     | 76  | 115 | 40 |
| 3491                     | 80  | 80  | 40 |
| 7802                     | 80  | 90  | 40 |
| 3037                     | 80  | 105 | 40 |
| 7696                     | 80  | 120 | 40 |
| 3171                     | 80  | 130 | 40 |
| 3172                     | 80  | 160 | 40 |
| 3764                     | 85  | 110 | 40 |
| 7009                     | 85  | 135 | 40 |
| 3637                     | 93  | 120 | 40 |
| 3059                     | 103 | 80  | 50 |
| 7666                     | 103 | 100 | 50 |
| 7554                     | 103 | 130 | 90 |
| 7555                     | 103 | 155 | 95 |
| 3086                     | 103 | 160 | 40 |
| 7442                     | 150 | 90  | 40 |



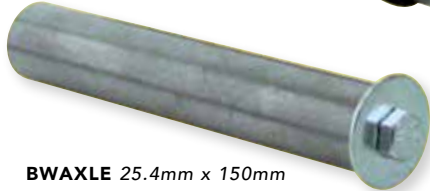


# TRAILERS & COMPONENTS

## HSA Stub Axles for Pneumatic Wheels



**RWAXLE** 32mm x 225mm



**BWAXLE** 25.4mm x 150mm

ALL STUB AXLES SUPPLIED WITH RETAINING NUT AND WASHER.

| CODE      | AXLE DIAM. | AXLE LENGTH | CAPACITY    | TO SUIT BEARING SIZE & TYPE |
|-----------|------------|-------------|-------------|-----------------------------|
| BWAXLE    | 25.4mm     | 150mm       | 125kg/each  | 25.4mm Low speed BB         |
| BWAXLEM   | 25mm       | 150mm       | 125kg/each  | 25mm Low speed BB           |
| RWAXLE    | 32mm       | 225mm       | 800kg/pair  | 25mm High speed BB          |
| RWTRAXLE  | 32mm       | 225mm       | 800kg/pair  | 25mm Taper roller           |
| HUBAXLE   | 38mm       | 275mm       | 1500kg/pair | 25mm High speed BB          |
| HUBTRAXLE | 38mm       | 275mm       | 1500kg/pair | 25mm Taper roller           |

NOTE: Ball bearing axles have a nylock nut.  
Taper roller bearing axles have a castle nut with hole and split pin.  
Special axles made to order including keyed shafts to suit keyed RW wheels.



**HUB4BB** ball bearing

ALL HUBS WITH HIGH SPEED BEARINGS (BALL OR TAPER) ARE SUPPLIED COMPLETE WITH AXLE SEAL AND DUST CAP. HUB AXLES PRICED SEPARATELY

| CODE    | CAPACITY    | HUB TYPE                   | BEARING SIZE                    |
|---------|-------------|----------------------------|---------------------------------|
| HUB4BB  | 1500kg/pair | Fabricated steel 4x4"PCD   | 6205 Ball bearing 25mm          |
| HUB4TR  | "           | "                          | 30205 Taper roller bearing 25mm |
| HUB5TR  | "           | Fabricated steel 5x4.5"PCD | "                               |
| HUB5TRC | "           | Cast Iron 5x4.5"PCD        | "                               |

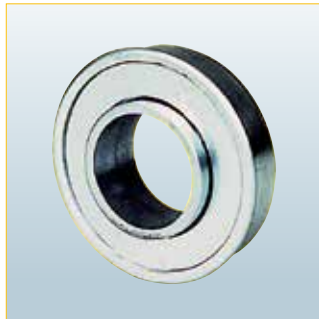
## Bearings

### Nylon Bush Flanged



| CODE | OUTSIDE DIAM. | INSIDE DIAM. |
|------|---------------|--------------|
| NB1  | 35mm          | 1"           |
| NB2  | 35mm          | 3/4"         |
| NB3  | 35mm          | 5/8"         |
| NB4  | 51mm          | 1"           |
| NB5  | 51mm          | 3/4"         |

### Ball Bearing Low Speed



| CODE | OUTSIDE DIAM. | INSIDE DIAM. |
|------|---------------|--------------|
| FB1  | 2"            | 1"           |
| FB2  | 2"            | 3/4"         |
| FB3  | 1 3/8"        | 3/4"         |
| FB4  | 1 3/8"        | 5/8"         |
| FB5  | 1 3/8"        | 1/2"         |
| FB6  | 1 1/8"        | 1/2"         |

### Ball Bearing High Speed



| CODE       | OUTSIDE DIAM. | INSIDE DIAM. |
|------------|---------------|--------------|
| 6205       | 52mm          | 25mm (u)     |
| 6205 2RS   | 52mm          | 25mm (s)     |
| 620516     | 52mm          | 1" (u)       |
| 620516 2RS | 52mm          | 1" (s)       |

u = unsealed    s = sealed

### Taper Roller High Speed



| CODE  | OUTSIDE DIAM. | INSIDE DIAM. |
|-------|---------------|--------------|
| 30205 | 52mm          | 25mm         |



Up to **250kg** load cap.

- Pneumatic or solid rubber wheel options
- Swivel bracket, clamp bracket and yoke assembly with bracket type
- Top winding or side winding option

Jockey Wheels are available in three basic assemblies, with each assembly able to be fitted with a number of wheel options. Choose a solid rubber wheel, an aluminium or plastic centred solid rubber tyre or a pneumatic tyre. You can also have a standard top-winding model or opt for a side-winding model.

### Assembly types:

#### SWIVEL TYPE:

250mm of screw adjustment. Pull the spring loaded pin out to swivel the jockey wheel 90° out of the way.

#### CLAMP TYPE:

250mm of screw adjustment. Loosen the lever pin, which loosens the clamp, then slide the jockey wheel up out of the way. Re-tighten clamp.

#### YOKE ASSEMBLY & BRACKET TYPE:

No screw adjustment. Remove the lynch pin, then slide the jockey wheel out of the bracket.

#### NOTE:

All products are corrosion resistant.

Swivel type brackets are bolt-on.

Weld-on or U bolt-on versions are available on request.



**CP2 Clamp Type**  
150 x 50mm  
solid rubber wheel



**CP14SN Swivel Type**  
250 x 4 pneumatic wheel



**CP45 – Machinery Stand**



**CP3 Yoke & Bracket**  
300 x 4 pneumatic wheel



**CP2SS Side Winder Swivel Type**  
150 x 50mm  
solid rubber wheel

### Selection Chart

|              | WHEEL TYPE                                      | JOCKEY ASSEMBLY TYPE |       |                         | LOAD RATING |
|--------------|---|----------------------|-------|-------------------------|-------------|
|              |   | SWIVEL               | CLAMP | YOKE ASSEMBLY & BRACKET |             |
| SOLID RUBBER | 150 x 50mm<br>solid rubber wheel                | CP2S<br>CP2SS        | CP2   | CP7                     | 150kg       |
|              | Aluminium centred<br>solid rubber wheel 250 x 4 | CP14S<br>CP14SHS     | CP14  | -                       | 250kg       |
|              | Plastic centred<br>solid rubber wheel 250 x 4   | CP14SN               | CP14N | -                       | 250kg       |
| PNEUMATIC    | Aluminium centred<br>pneumatic wheel 250 x 4    | CP1S                 | CP1   | -                       | 150kg       |
|              | Aluminium centred<br>pneumatic wheel 300 x 4    | CP6S<br>CP20SXHS     | CP6   | CP3                     | 220kg       |





# TRAILERS & COMPONENTS

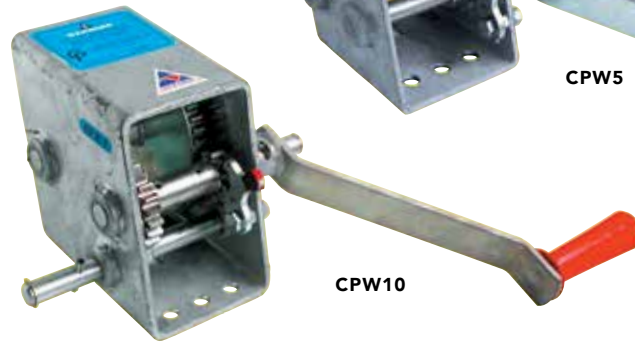
## Trailer Winches

These winches are high quality ideally suited for use on boat trailers, but can also be used for any general winching tasks. We have a number of sizes and pulling strengths available and a variety of gearing ratio options.

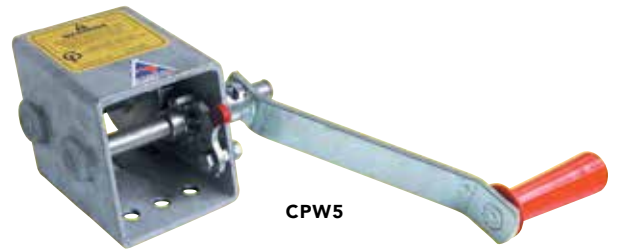
- Multi-fit base holes
- Stainless steel shafts and springs
- Bodies hot-dip galvanised



CPW5B



CPW10



CPW5

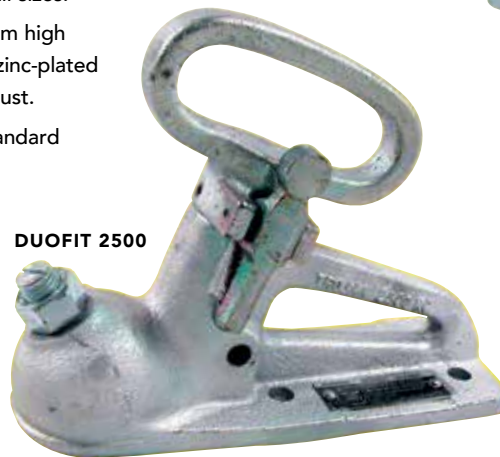
| CODE  | GEARING | MAXIMUM PULL | MATERIAL          |
|-------|---------|--------------|-------------------|
| CPW1  | 1 : 1   | 260kg        | Galvanised steel  |
| CPW3  | 3 : 1   | 450kg        | Galvanised steel  |
| CPW5  | 5 : 1   | 750kg        | Galvanised steel  |
| CPW5B | 5 : 1   | 400kg        | Zinc-plated steel |
| CPW10 | 10 : 1  | 1150kg       | Galvanised steel  |
| CPW15 | 15 : 1  | 1650kg       | Galvanised steel  |

## Trailer Couplings

Our trailer coupling range includes the TC30 which is New Zealand's most popular, and is fitted as standard by most major trailer manufacturers. The non-braked Duofit 2500 coupling is suitable for both 17/8 and 50mm tow ball sizes.

These couplings are cast from high quality SG iron, are electro zinc-plated and are very strong and robust.

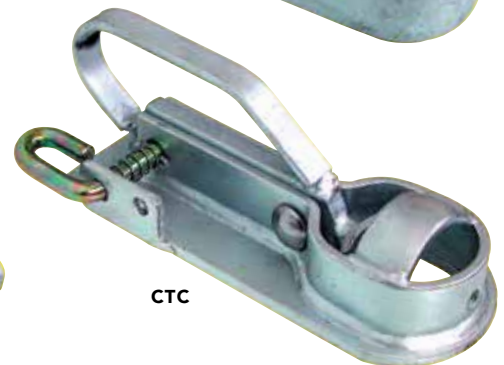
- Tested and exceed NZ Standard
- Very simple to operate



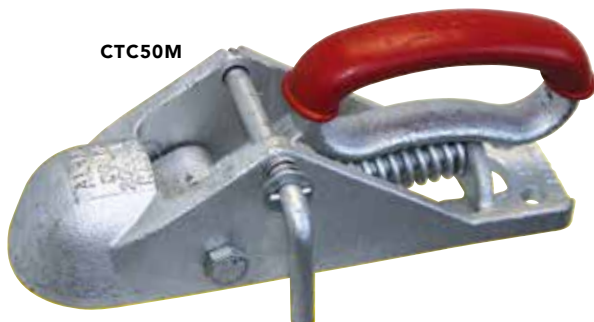
DUOFIT 2500



CTC30M



CTC



CTC50M

| CODE        | RATING | BALL SIZE   | MATERIAL         | BOLT HOLE   |
|-------------|--------|-------------|------------------|-------------|
| CTC         | 2000kg | 17/8        | Galvanised steel | Weld on     |
| CTC50M      | 2000kg | 50mm        | Galvanised steel | 38 x 90     |
| CTC30M      | 1500kg | 17/8        | Galvanised cast  | 38 x 90     |
| DUOFIT 2500 | 2500kg | 17/8 + 50mm | Galvanised cast  | 36.5 x 90.5 |



### Urethane - Red, hard wearing, quiet running, non-marking



**Bow Rollers**

| CODE | DESCRIPTION      | DIAM. mm | BORE | LENGTH | MATERIAL |
|------|------------------|----------|------|--------|----------|
| BR 2 | 50mm Bow roller  | 50 - 30  | 13mm | 50mm   | Urethane |
| BR 3 | 75mm Bow roller  | 63 - 36  | "    | 68mm   | "        |
| BR 4 | 100mm Bow roller | 61 - 43  | 16mm | 96mm   | "        |



**Flatside Rollers**

|       |                       |    |      |       |          |
|-------|-----------------------|----|------|-------|----------|
| FS 6  | 156mm Flatside roller | 60 | 19mm | 150mm | Urethane |
| FS 8  | 200mm Flatside roller | "  | 16mm | 194mm | "        |
| FS 12 | 305mm Flatside roller | "  | 19mm | 298mm | "        |



**Cotton Reels**

|        |                   |         |      |       |          |
|--------|-------------------|---------|------|-------|----------|
| CR 4   | 100mm Cotton reel | 70      | 16mm | 100mm | Urethane |
| CR 4.5 | 110mm Cotton reel | 70 - 50 | "    | 115mm | "        |
| CR 6   | 154mm Cotton reel | 74      | "    | 153mm | "        |
| CR 8   | 206mm Cotton reel | 74      | "    | 204mm | "        |



**Keel Rollers**

|       |                   |         |       |       |          |
|-------|-------------------|---------|-------|-------|----------|
| KR 8  | 200mm Keel roller | 70      | 16mm  | 190mm | Urethane |
| KR 12 | 292mm Keel roller | 79      | 19mm  | 298mm | "        |
| SC 6  | 153mm Self centre | 69      | 5/8mm | 158mm | "        |
| SC8   | 200mm Self centre | 69      | 5/8mm | 204mm | "        |
| SCU   | Self centre       | 67 - 42 | 20mm  | 285mm | "        |

### Rubber - Black, cost effective, quiet running



**Keel Rollers MK 1-3**

| CODE  | DESCRIPTION | DIAM. mm | BORE | LENGTH | MATERIAL |
|-------|-------------|----------|------|--------|----------|
| MK 1  | Keel roller | 88 - 64  | 16mm | 81mm   | Rubber   |
| MK 2  | Keel roller | 90 - 59  | "    | 84mm   | "        |
| MK 3  | Keel roller | 60 - 30  | "    | 79mm   | "        |
| MK 4A | Keel roller | 90 - 65  | "    | 185mm  | "        |
| MK 5A | Keel roller | 89 - 64  | "    | 142mm  | "        |

MK1, 2, 3 also available in alloy and nylon



**Keel Rollers MK4A & 5A**



**Side Rollers**

|         |              |    |      |       |        |
|---------|--------------|----|------|-------|--------|
| BSR 38  | Side rollers | 63 | 16mm | 40mm  | Rubber |
| BSR 115 | "            | "  | "    | 120mm | "      |
| BSR 200 | "            | "  | "    | 204mm | "      |
| BSR 230 | "            | "  | "    | 234mm | "      |



**Self-centre Rollers**

|        |                     |         |      |       |        |
|--------|---------------------|---------|------|-------|--------|
| SC - S | Self centre w shaft | 72 - 43 | 16mm | 305mm | Rubber |
| SC     | Self centre         | "       | 20mm | "     | "      |

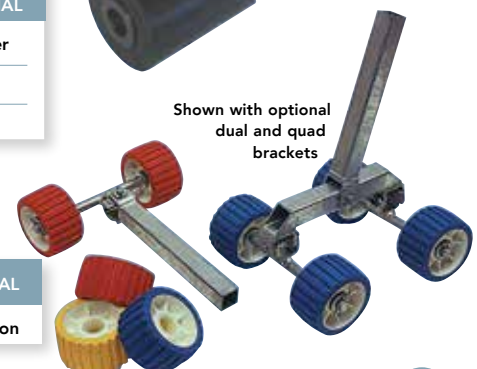


**Snubbing Blocks**

| CODE | DESCRIPTION      | WIDTH | HEIGHT | BOLT HOLE | MATERIAL |
|------|------------------|-------|--------|-----------|----------|
| SNS  | Snubbing block   | 150   | 50     | 35 x 128  | Rubber   |
| SNL  | "                | 162   | 76     | 51 x 136  | "        |
| CRSB | Snub cotton reel | 98-35 | 75     | 12.7 bore | "        |

### Wobble Rollers

| CODE | DESCRIPTION    | DIAM. mm | BORE | LENGTH | MATERIAL  |
|------|----------------|----------|------|--------|-----------|
| WRT  | Wobble rollers | 128      | 26mm | 73mm   | TPR/Nylon |



Shown with optional dual and quad brackets